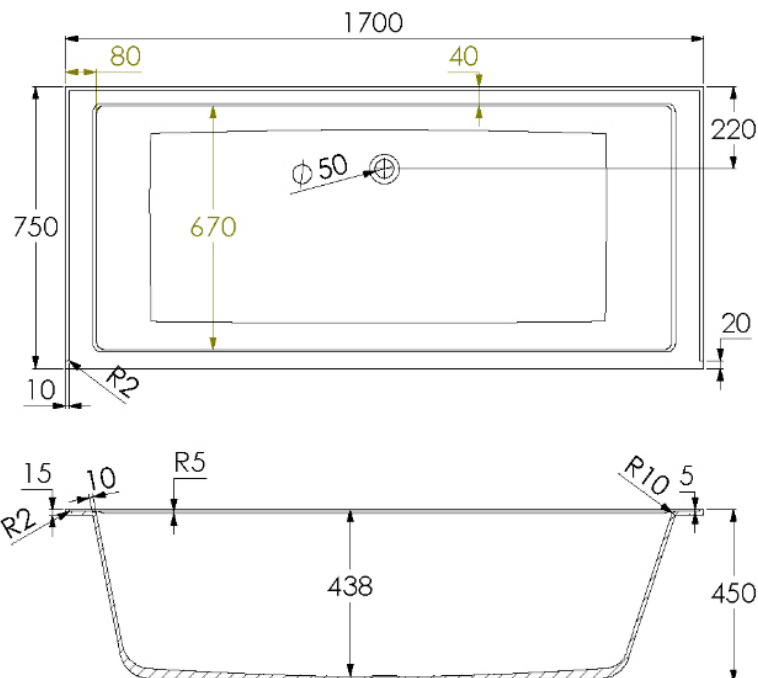


ANGEL BUILT-IN BATHTUB

SRB067

ACRYLIC BATHTUB

1700x750x450mm



Product Specification



Product Code: SRB067

- | | | | |
|------------------------------|----------------|---------------------|--------------------------|
| • Size: | 1700x750x450mm | • Finish: | Gloss |
| • Rim : | 80mm | • Tap holes: | None |
| • Single/Double wall: | Single wall | • Warranty: | 10 year |
| • Waste diameter: | 50mm | • Material: | Through-coloured acrylic |
| • Colour: | White | | |

www.riverrange.co.za

River Range pursues a policy of continual development and improvement and as such, product specifications may change without prior notice. All dimensions listed herein are only intended as a guide. Products are subject to size variants of +/- 5%. The exact colour and finish of the products may vary from those depicted in the brochure. River Range recommends that for absolute clarity in the selection of options, visit their nearest River Range approved stockists.